


PRODUCT SHEET

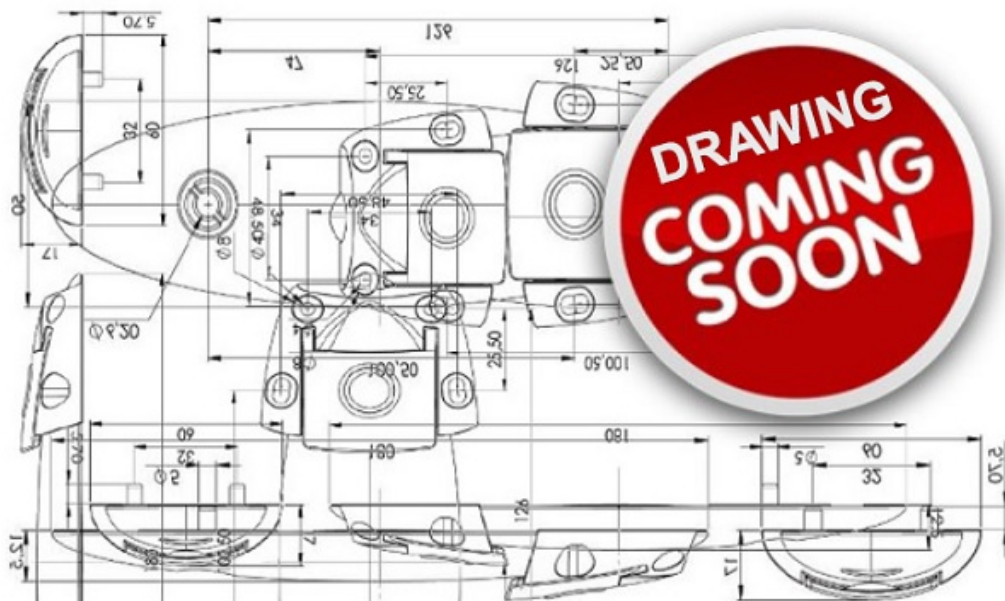
Description:

"Xango" Cable Set, All Black Plastic, $\varnothing 80 \times 18 \text{mm}$

Item number:

25.20.100-0

Units	Box	Carton	HS Code	Barcode
Pcs.		300	3926300090	 5704866090841



SISO A/S
Mileparken 11
DK-2740 Skovlunde
Denmark
VAT: DK 24786013

Phone +45 45 830 900
www.siso.dk
siso@siso.dk

Danske Bank
Nytorv Branch
Copenhagen
SWIFT: DABADKKK

Account no.
4180 3112 112936
IBAN Account
DK7230003112112936